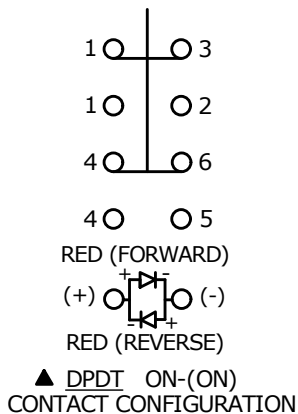


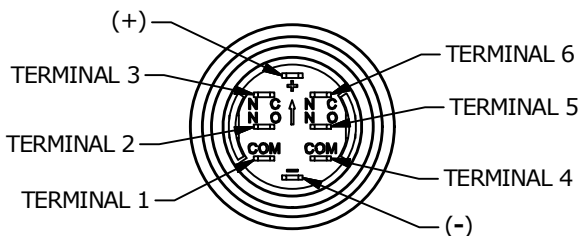
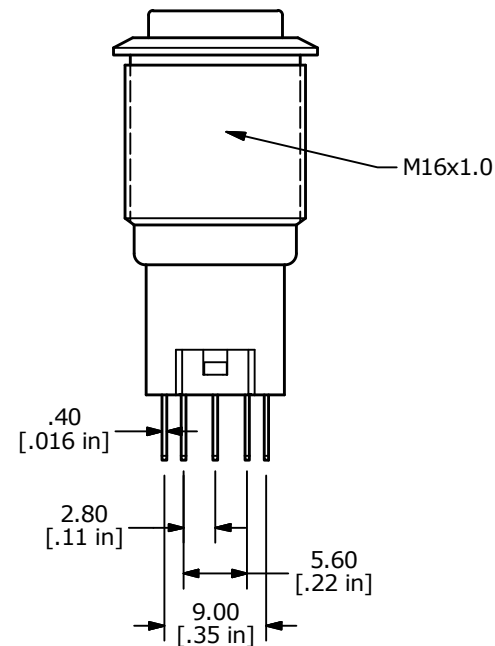
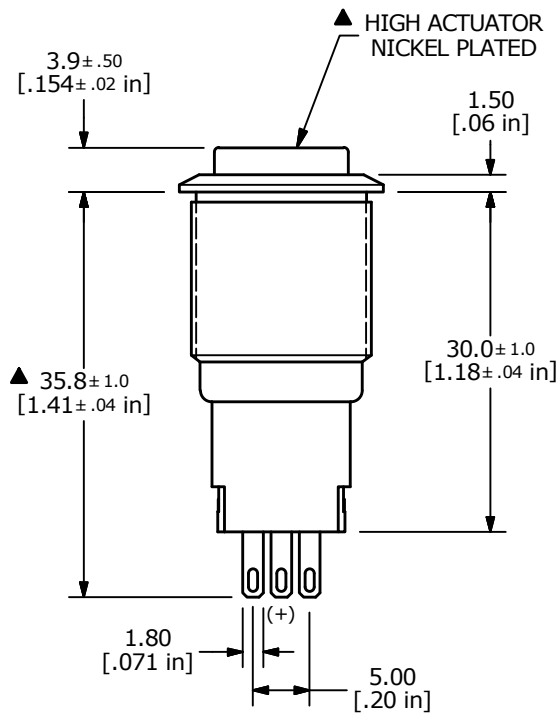
| SWITCH FUNCTION | |
|-----------------|----------|
| POS. 1 | POS. 2 |
| | |
| ON | (ON) |
| 1-3; 4-6 | 1-2; 4-5 |

(ON) = MOMENTARY



NOTE:

- ALL DIMENSIONS IN MM [INCH]
- GENERAL TOLERANCE: X.X = ±0.4
X.XX = ±0.25
- TERMINAL NUMBERS FOR REF ONLY
- CONTACT MATERIAL: SILVER
- RATING: 2A 48VDC
- ELECTRIC LIFE: 50,000 MAKE-AND-BREAK CYCLES AT FULL LOAD.
- INSULATION RESISTANCE: 1,000 MΩ MIN.
- DIELECTRIC STRENGTH: 2,000 VAC MIN. FOR 1 MINUTE
- CONTACT RESISTANCE: 50mΩ MAX. @ 1A 12VDC
- OPERATING TEMP.: -20°C to 55°C
- ▲ DENOTES CRITICAL PARAMETER.
- HARDWARE SUPPLIED: O-RING AND HEXNUT
- INGRESS RATING: IP40
- LAMP VOLTAGE: 12V



| REV | PCR NO | DESCRIPTION | DATE | BY |
|-----|--------|----------------------------|---------|-----|
| E | 23610 | update +/- Terminals | 10/9/18 | MW |
| D | 23363 | UPDATED RATING TO 2A 48VDC | 5/11/18 | MJR |
| C | 22886 | UPDATED RATING TO 1A 24VDC | 6/19/17 | MJR |



| | | | | |
|---------------------|----------------|-------|---------------------|-------|
| TITLE PV3H2H0NN-214 | | | | |
| SCALE 3:2 | DATE 7/28/2015 | DR MW | DWG 52-PV3H2H0NN214 | REV E |

THE INFORMATION CONTAINED IN THIS DOCUMENT IS PROPRIETARY TO E-SWITCH AND IS NOT TO BE COPIED OR TRANSFERRED